

ERF5050, RF cable, 200 mm, SMA-Female & U.FL

Features

Mechanical Properties

| Parameter: | Description |
|------------------------------|-------------------|
| Connector Type: | SMA Female & U.FL |
| Cable Length: | 200 mm ± 10 |
| Cable type: | Coaxial 1.13 |
| Operating Temperature Range: | -55°C~+155°C |
| Storage Temperature Range: | -55°C~+155°C |



Typical applications

- RF Cable assembly
- Antenna accessory

Electrical Properties

| Parameter: | Description |
|------------------------|----------------------|
| Impedance: | 50 Ohm |
| Frequency Range: | DC - 6 GHz |
| VSWR: | 1.3 Max |
| Working Voltage: | 500V rms @ sea level |
| Insulation Resistance: | 5000 Ohms min. |

Description

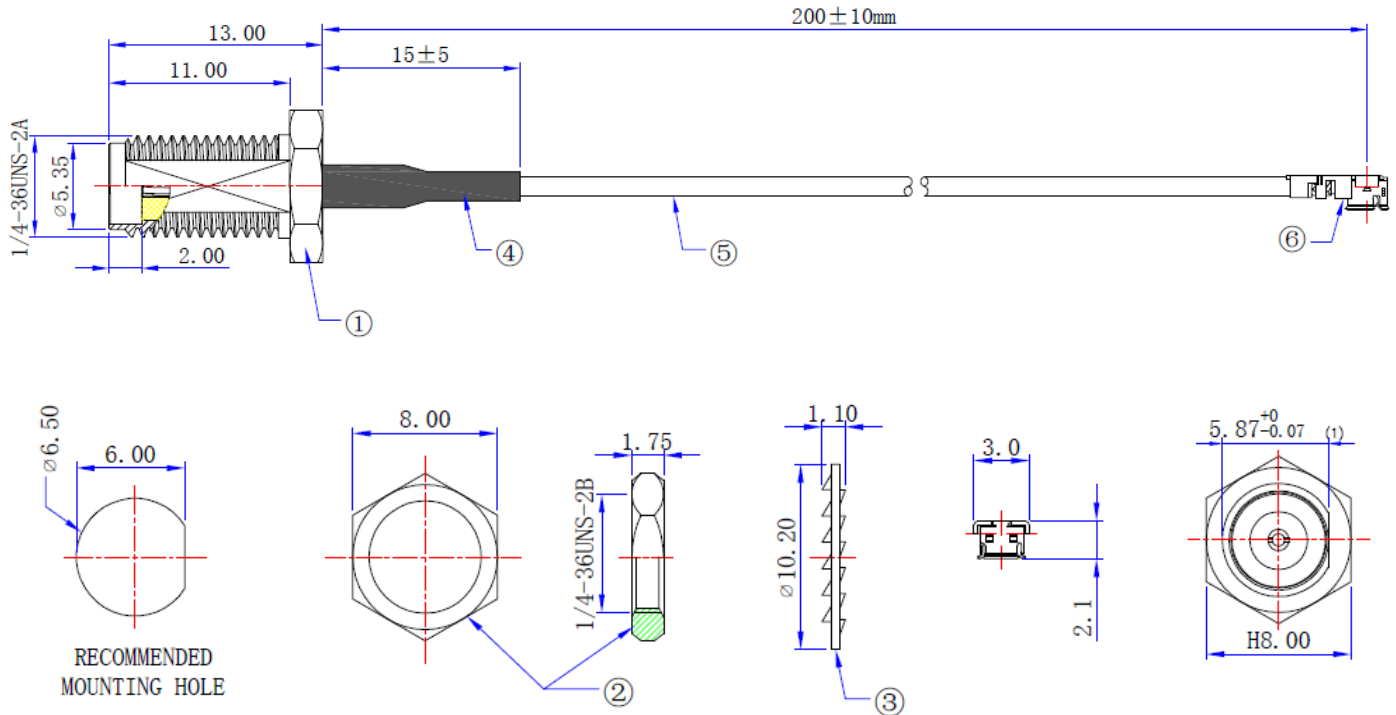
The ERF5050 is a RF-Cable suitable for RF applications. the cable has 1 SMA female connector, and 1 U.FL connector. It can be used for RF cable assemblies, and as an accessory for antenna's.

Dimensions

*unit: mm

| Part | Description | Material | Finish |
|------|--------------------|----------|--------|
| 1 | SMA Jack | Brass | Gold |
| 2 | NUT | Brass | Gold |
| 3 | Washer | Iron | Gold |
| 4 | Heat shrink tubing | | Black |
| 5 | Cable | OD1.13 | Gold |
| 6 | IPEX U.FL | Brass | Gold |

ERF5050, RF cable, 200 mm, SMA-Female & U.FL



Connector



The ERF5050 uses a SMA Female and an U.FL connector.

Ordering information

Ordering can be done via www.summit-electronics.com or via info@summit-electronics.com. Please contact us for more information. Customisation of the product is available on request.

Technical support

For all product questions please contact us via info@summit-electronics.com